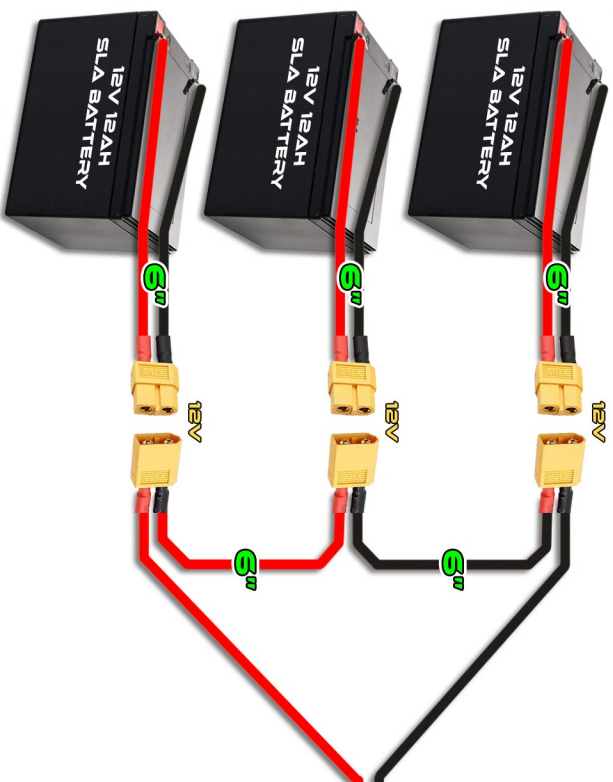


# BRUSHED ELECTRONICS

WIRING FOR 2X SPYKER KAT ONLY (NO SNOW BLOWER)



**COLOR CODE**  
 #1 = NEW WIRES  
 #2 = CUT EXISTING WIRES  
 #3 = SERVO WIRE



VOLTAGE METER

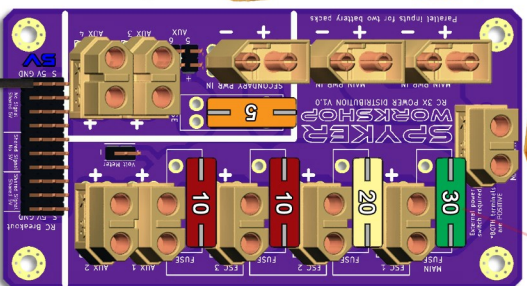
\*TAPE THERMISTOR TO MOTOR OR ESC

\*CONNECT TO 36V

\*THE KAT CAN ALSO BE RUN ON 12V OR 24V



36V TO 12V STEP DOWN



MAIN POWER SWITCH

USE ONLY 36V RATED FUSES

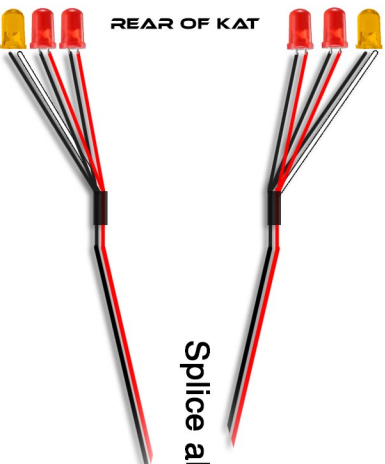
REMOVE THE RED WIRE FROM ALL OTHER ESCS ONLY ONE ESC SHOULD SUPPLY POWER TO THE RECEIVER! (LET HOBBYING 1060 SUPPLY POWER)



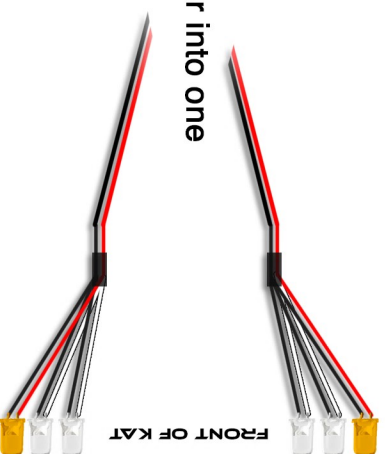
OPTIONAL

Splice all the lights together into one

Connect to 12V



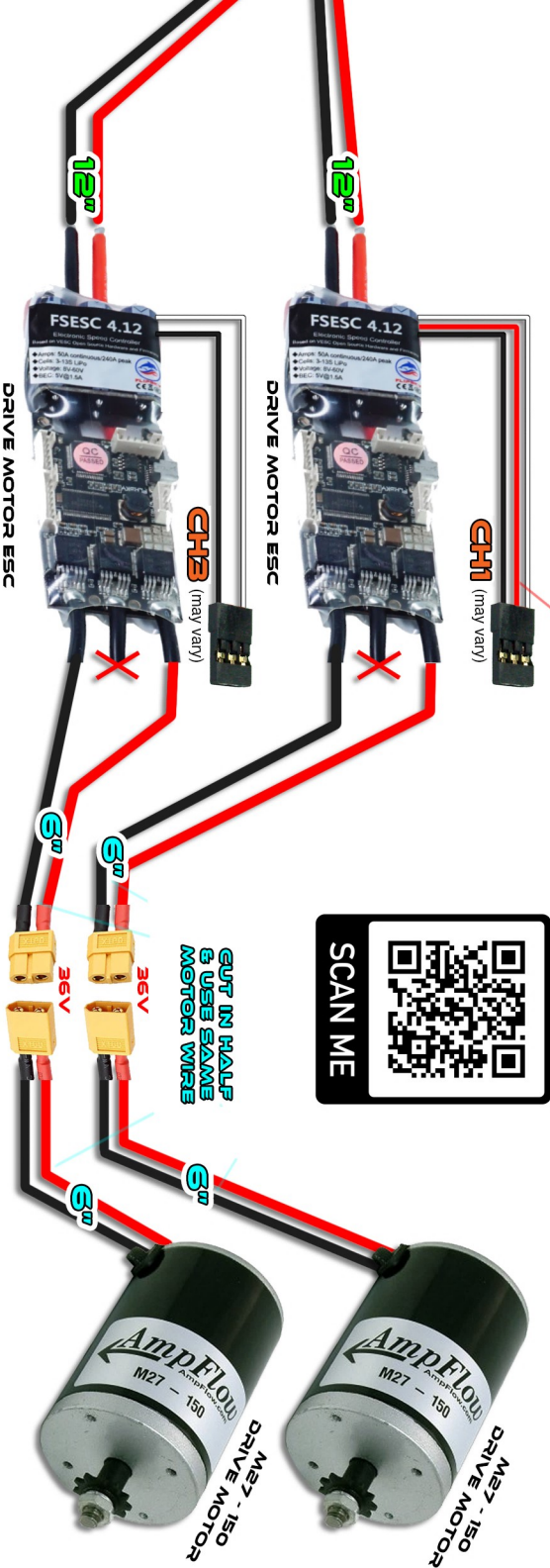
REAR OF KAT



FRONT OF KAT

SPYKER WORKSHOP

! **\*\*\*USE RED WIRE FOR BEC FOR NOW  
(REMOVE IF YOU ADD SNOW BLOWER KIT LATER)**



FOR HELP SETTING UP  
ESC CONTROLLERS  
CHECKOUT THIS VIDEO HERE!