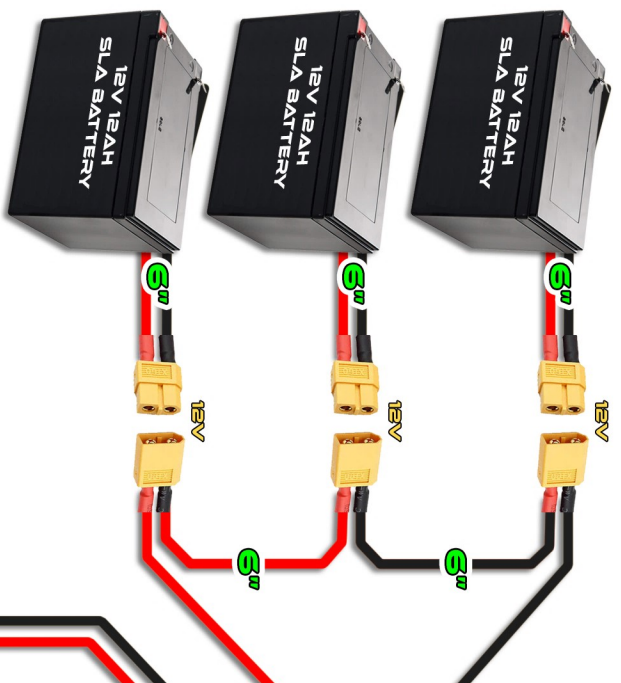
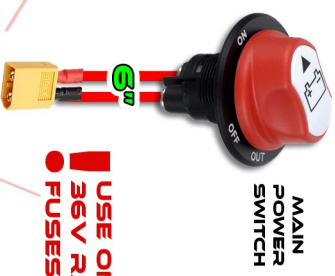
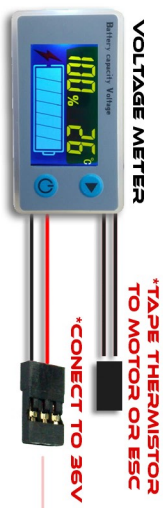


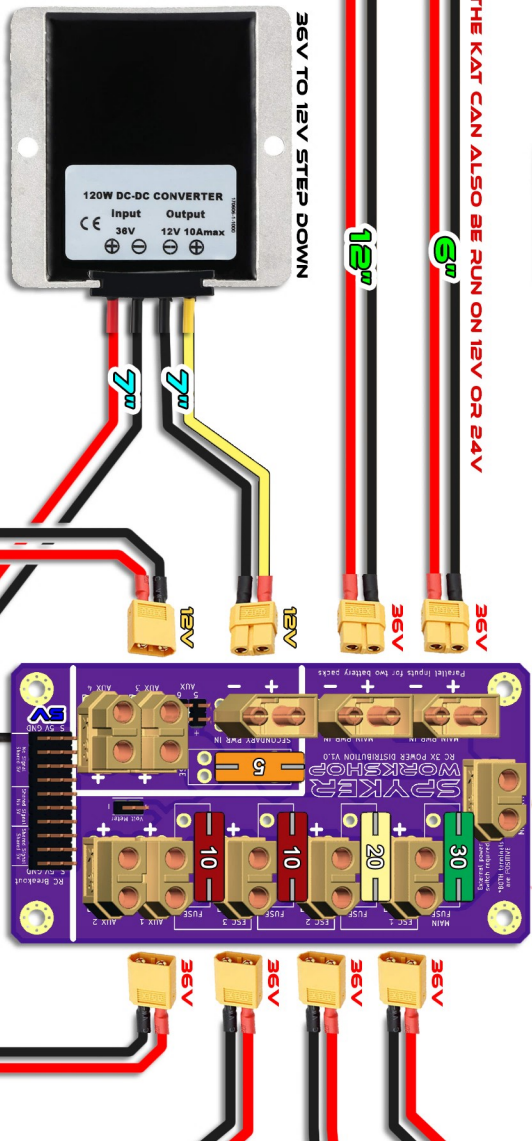
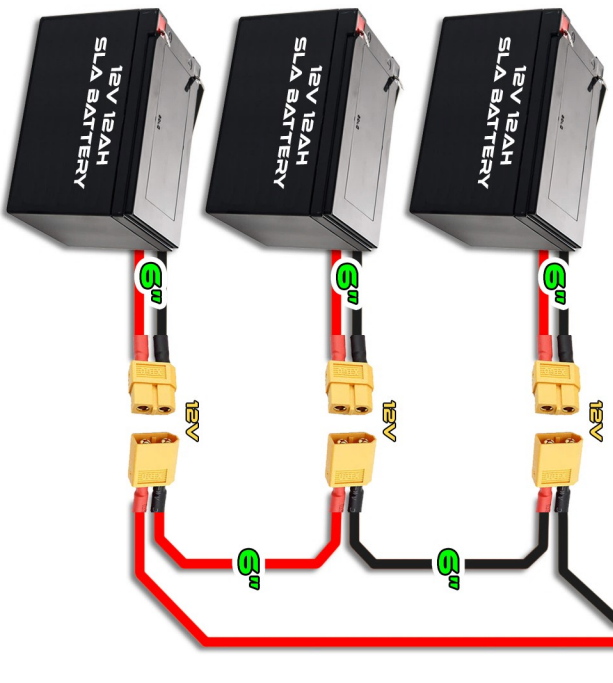
# BRUSHED ELECTRONICS

WIRING FOR 2X SPYKER KAT + 2X SNOW BLOWER

**COLOR CODE**  
 #1 = NEW WIRES  
 #2 = CUT EXISTING WIRES  
 #3 = SERVO WIRE



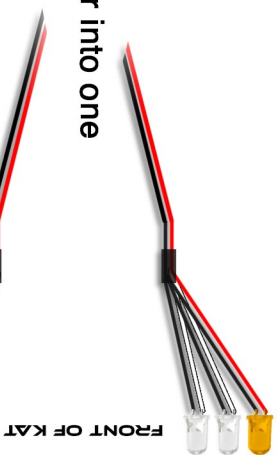
OPTIONAL SET OF BATTERIES  
 FOR MORE RUNTIME & WEIGHT



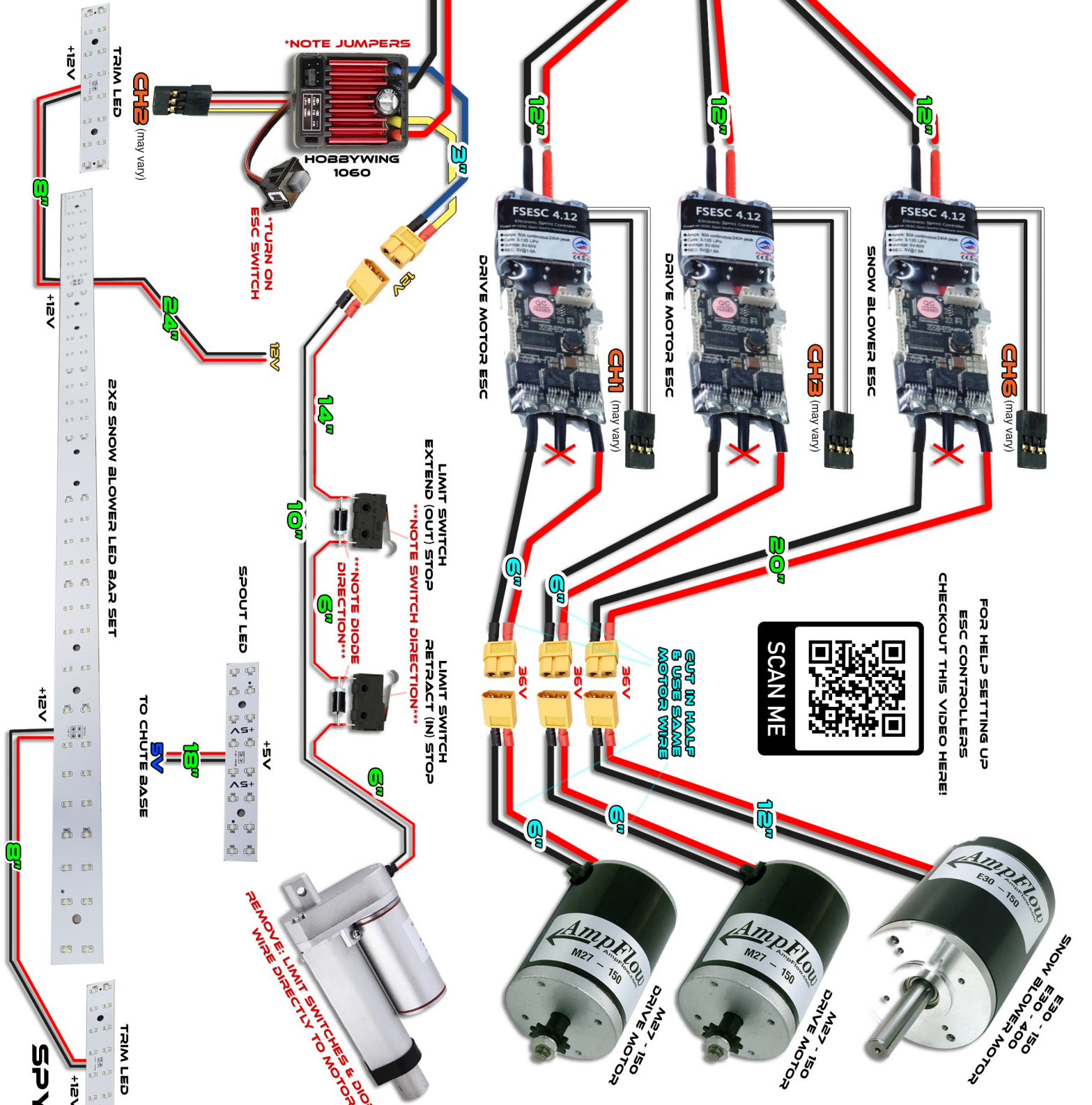
REMOVE THE RED WIRE FROM ALL OTHER ESCS ONLY ONE ESC SHOULD SUPPLY POWER TO THE RECEIVER! (LET HOBBYING 1060 SUPPLY POWER)



Splice all the lights together into one  
 Connect to 12V



SPYKER WORKSHOP



**CHUTE ROTATION SERVO**

- \*\*\*CONVERT TO 360 DEGREE
- \*\*\*REMOVE POTENTIOMETER
- \*\*\*REMOVE STOP ON GEAR
- \*\*\*WIRE DIRECTLY TO MOTOR\*\*\*

**REMOVE LIMIT SWITCHES & DIODES**

**WIRE DIRECTLY TO MOTOR**

**LIMIT SWITCH**

**RETRACT (IN) STOP**

**LIMIT SWITCH**

**EXTEND (OUT) STOP**

\*\*\*NOTE SWITCH DIRECTION\*\*\*

\*\*\*NOTE DIODE DIRECTION\*\*\*

**SPYKER WORKSHOP**