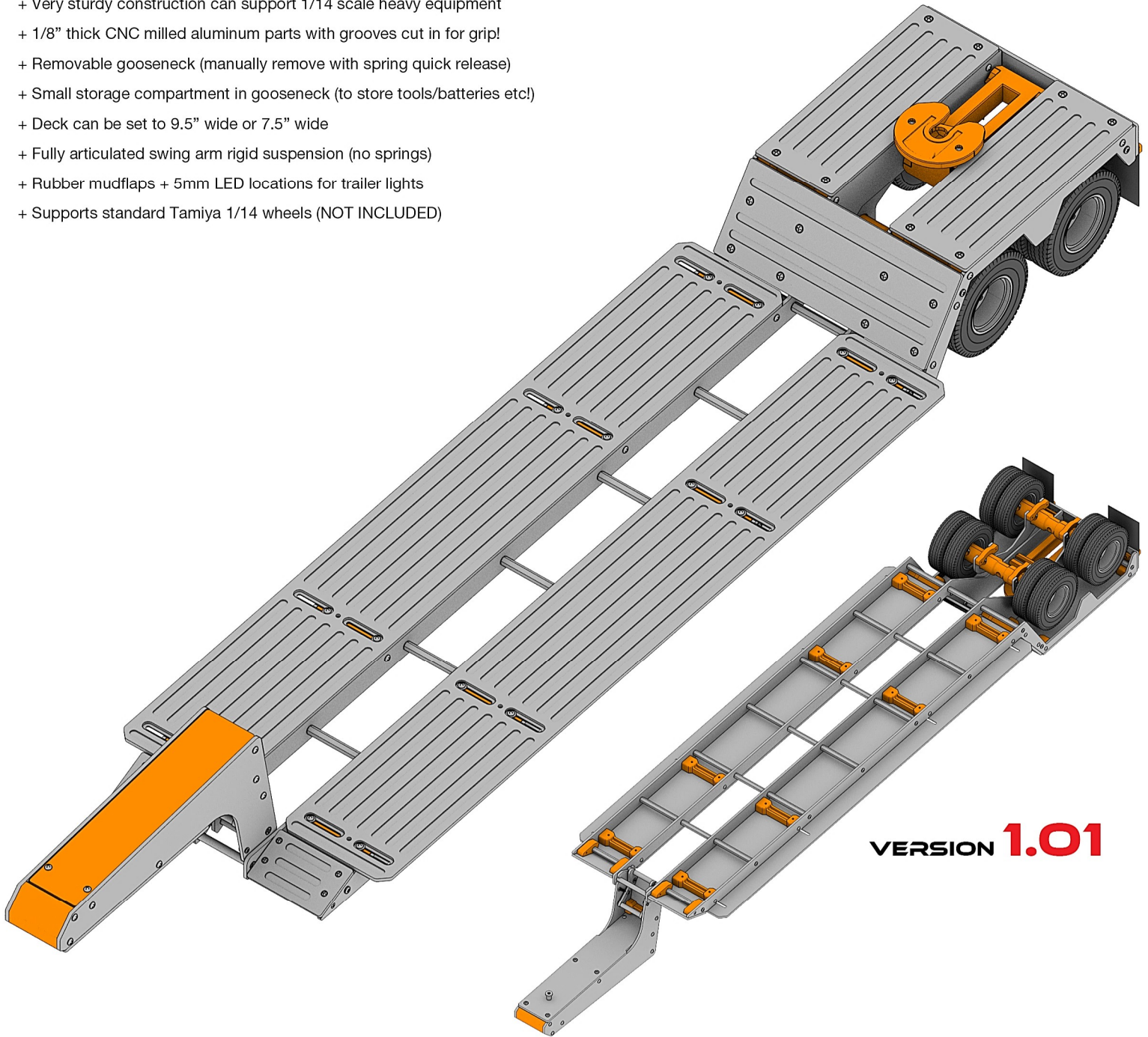


SPYKER WORKSHOP

FUNCTIONAL 3D PRINTING

FEATURES

- + Measures 44" Long, 25" Deck Length, 9.5" Wide (with deck extended out)
- + Includes simple 5th wheel trailer hitch point, that can be easily removed to support connecting multiple trailers together!
- + Very sturdy construction can support 1/14 scale heavy equipment
- + 1/8" thick CNC milled aluminum parts with grooves cut in for grip!
- + Removable gooseneck (manually remove with spring quick release)
- + Small storage compartment in gooseneck (to store tools/batteries etc!)
- + Deck can be set to 9.5" wide or 7.5" wide
- + Fully articulated swing arm rigid suspension (no springs)
- + Rubber mudflaps + 5mm LED locations for trailer lights
- + Supports standard Tamiya 1/14 wheels (NOT INCLUDED)



VERSION **1.01**

1/14 LOWBOY TRAILER MANUAL
DESIGNED BY MOO SPYKER

STEP 1

DRILL + COUNTERSINK

Drill with the sizes shown to avoid splitting or stripping out threads.

DRILL SIZE KEY

▽ = Drill Hole & Countersink

○ = Drill Hole

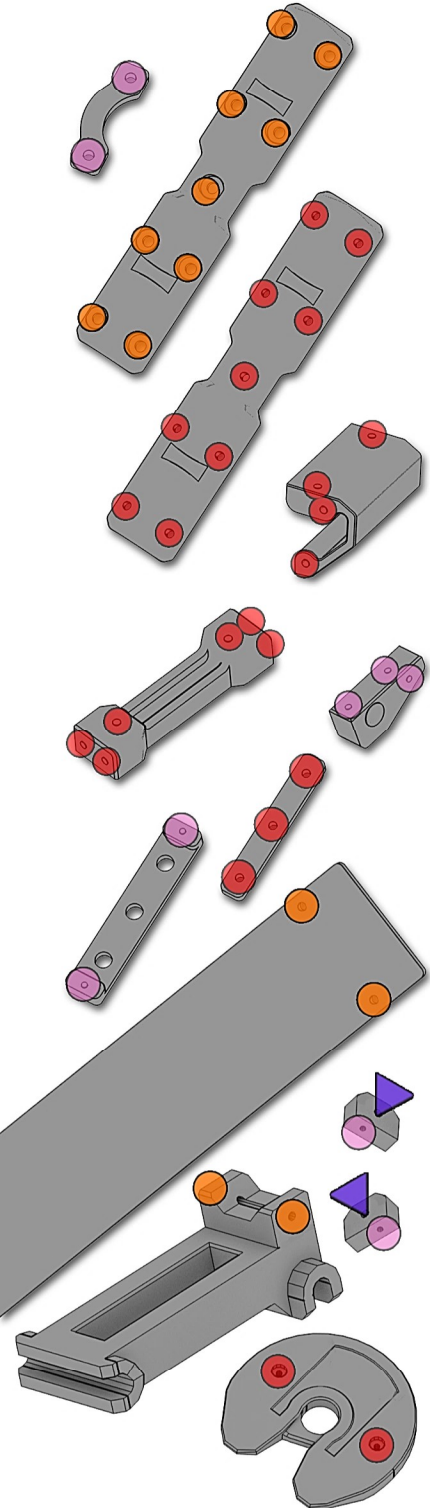
● - 5/64" (2.0mm)

● - 3/32" (2.4mm)

● - 1/8" (3.2mm)

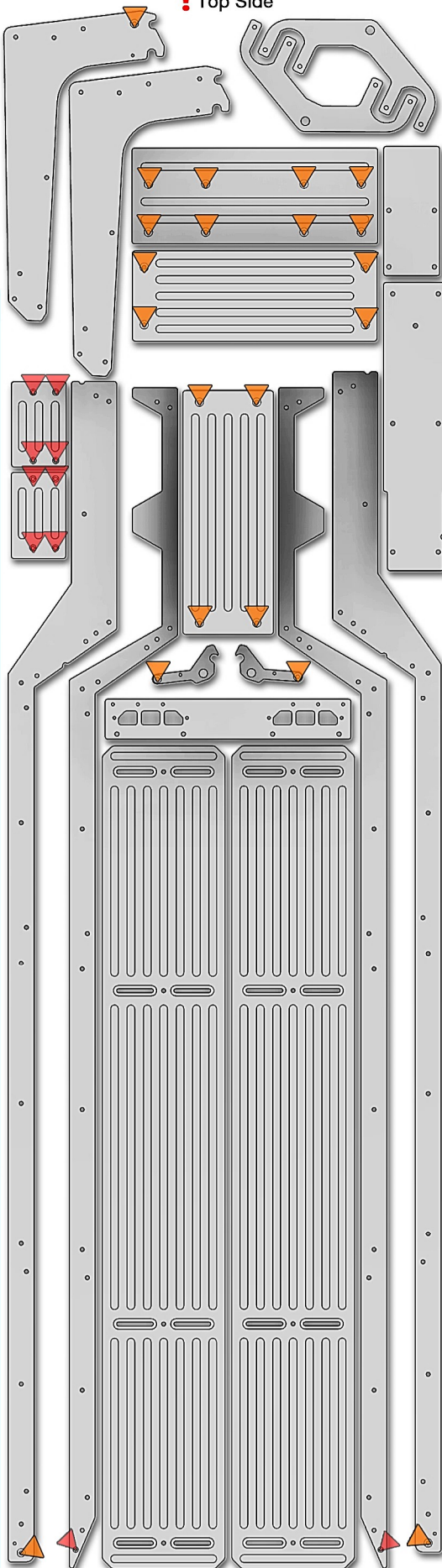
● - 9/64" (3.6mm)

3D Printed Parts

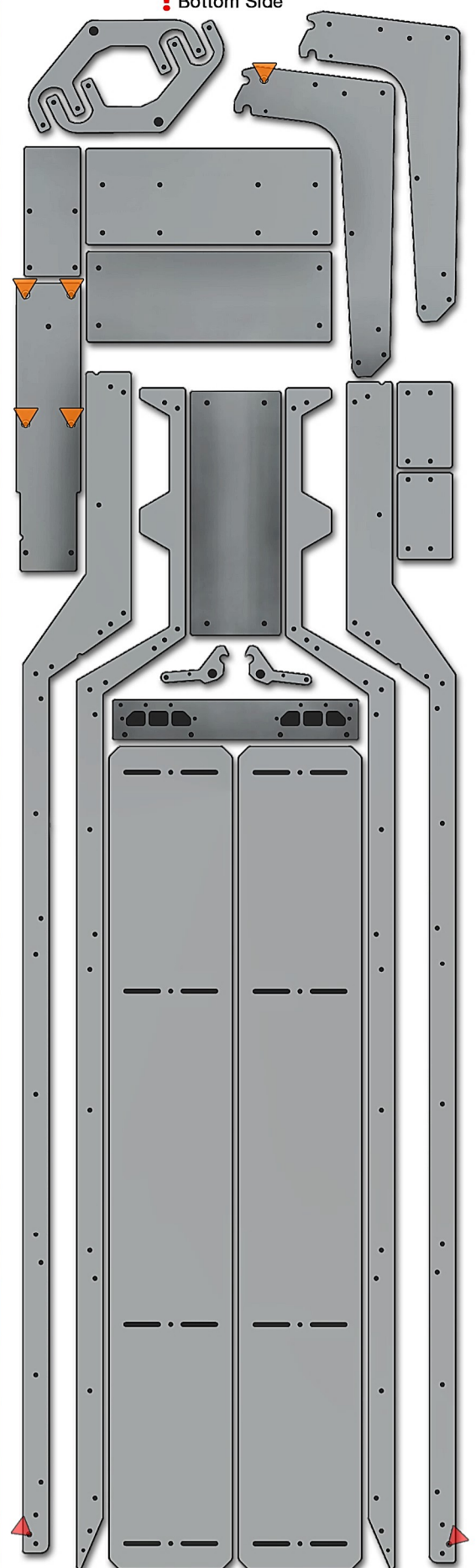


LOWBOY TRAILER KIT

! Top Side

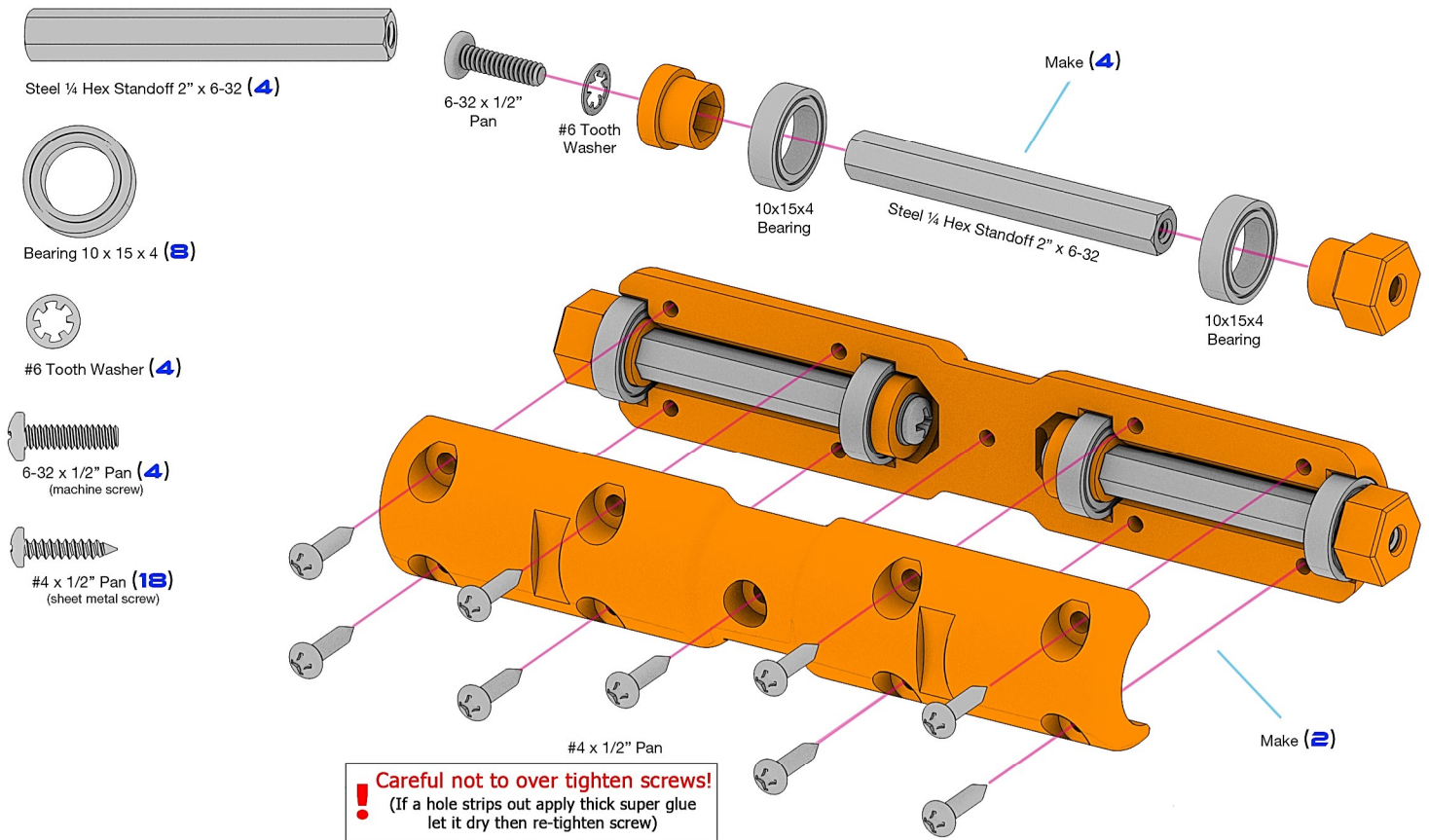


! Bottom Side



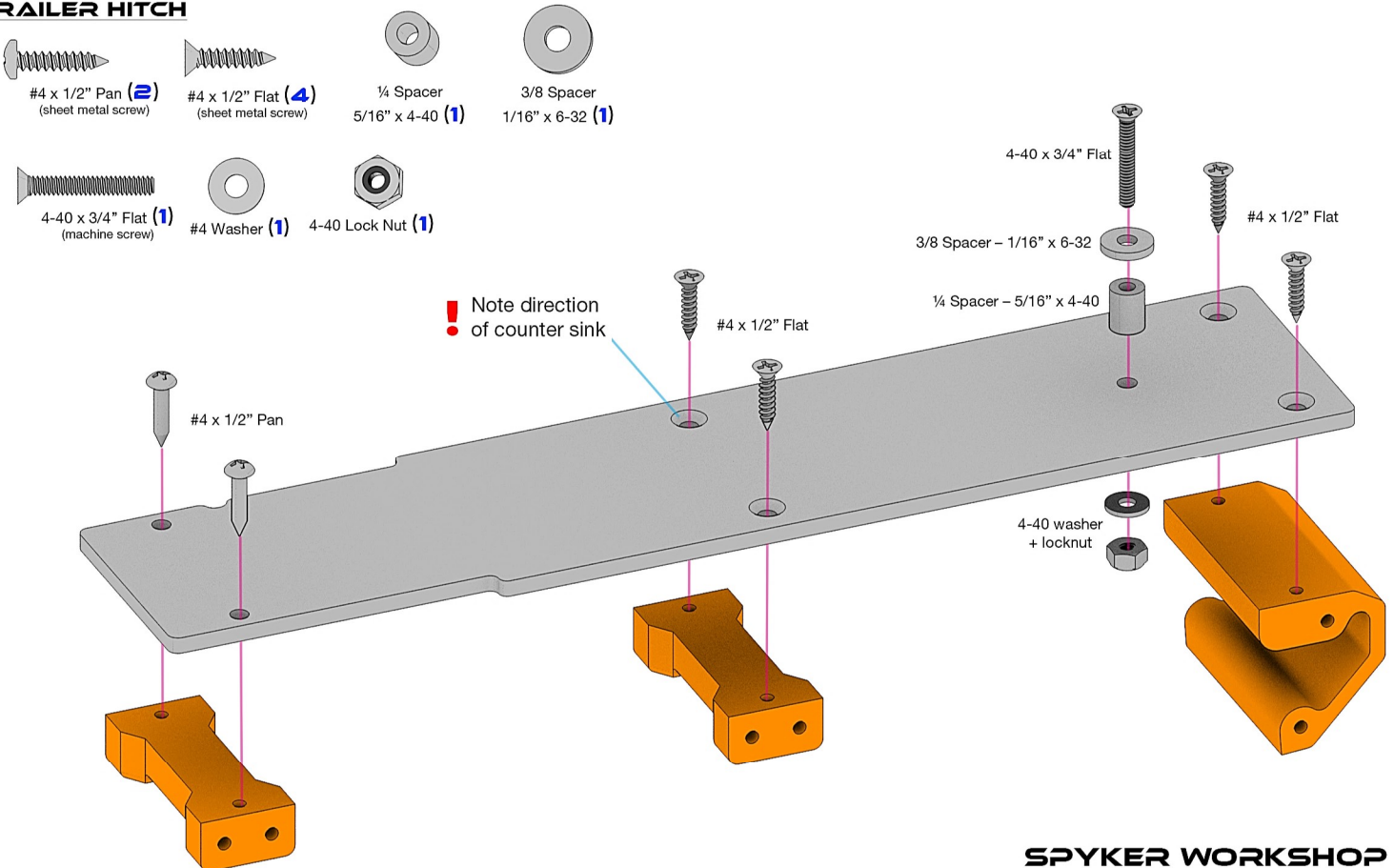
STEP 2

AXLE



STEP 3

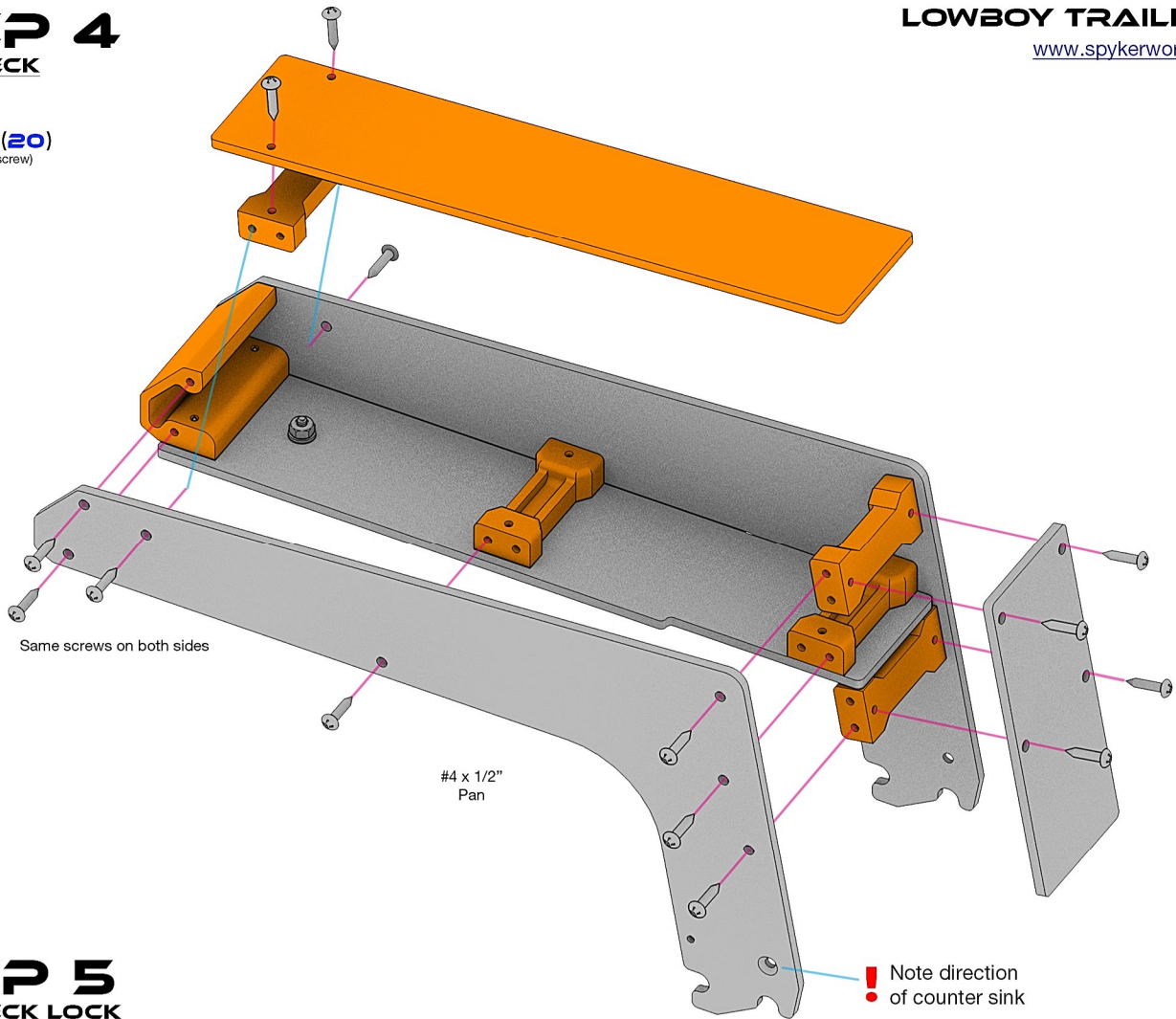
TRAILER HITCH



STEP 4

GOOSENECK

#4 x 1/2" Pan (20)
(sheet metal screw)



STEP 5

GOOSENECK LOCK



Aluminum 1/4 Round Standoff 1 1/4" x 4-40 (1)



1/4 Round Standoff 1/4" x 4-40 (2)



4-40 x 3/8" Flat (4)
(machine screw)



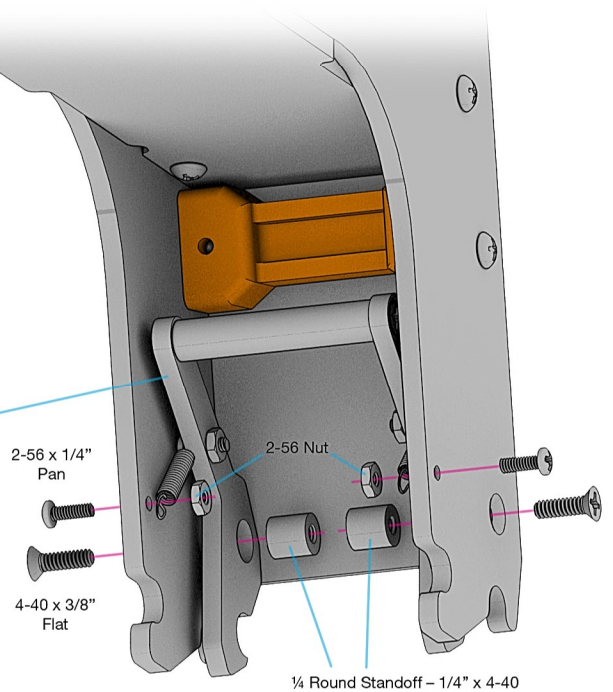
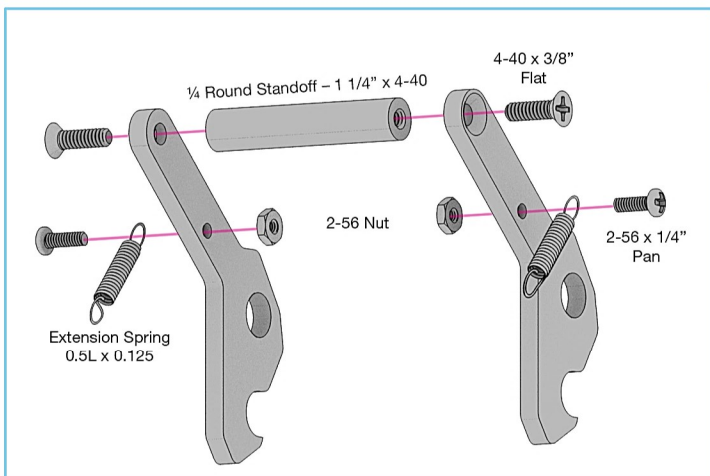
Extension Spring 0.5L x 0.125 (2)



2-56 x 1/4" Pan (4)
(machine screw)



2-56 Nut (4)



STEP 6

FRAME SUPPORTS

LOWBOY TRAILER KIT
www.spykerworkshop.com



#4 x 1/2" Pan (16)
 (sheet metal screw)



#2 x 3/8" Flat (2)
 (sheet metal screw)

Note different
 part on rear



(Only 1 hole on side)



Detail view

Note direction
 of counter sink

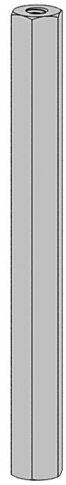


SPYKER WORKSHOP

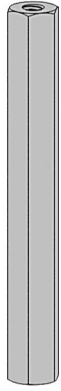
STEP 7

FRAME CROSS MEMBERS

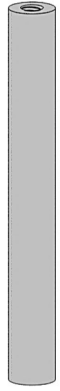
LOWBOY TRAILER KIT
www.spykerworkshop.com



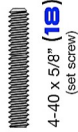
Aluminum 1/4 Hex Standoff 2 1/2" x 4-40 (18)



Aluminum 1/4 Hex Standoff 2" x 4-40 (8)



Steel 1/4 Round Standoff 2" x 4-40 (2)



4-40 x 5/8" (set screw) (18)



4-40 x 3/8" Flat (machine screw) (2)

Aluminum 1/4 Hex Standoff 2 1/2" x 4-40

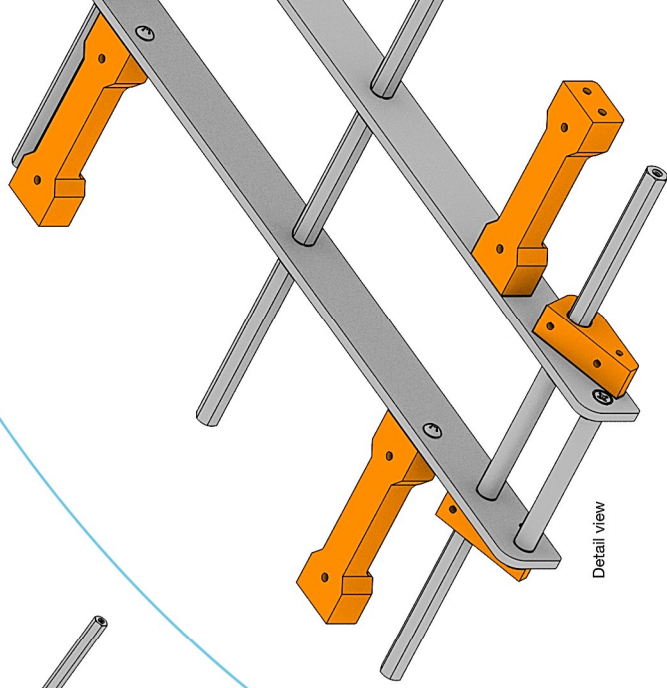
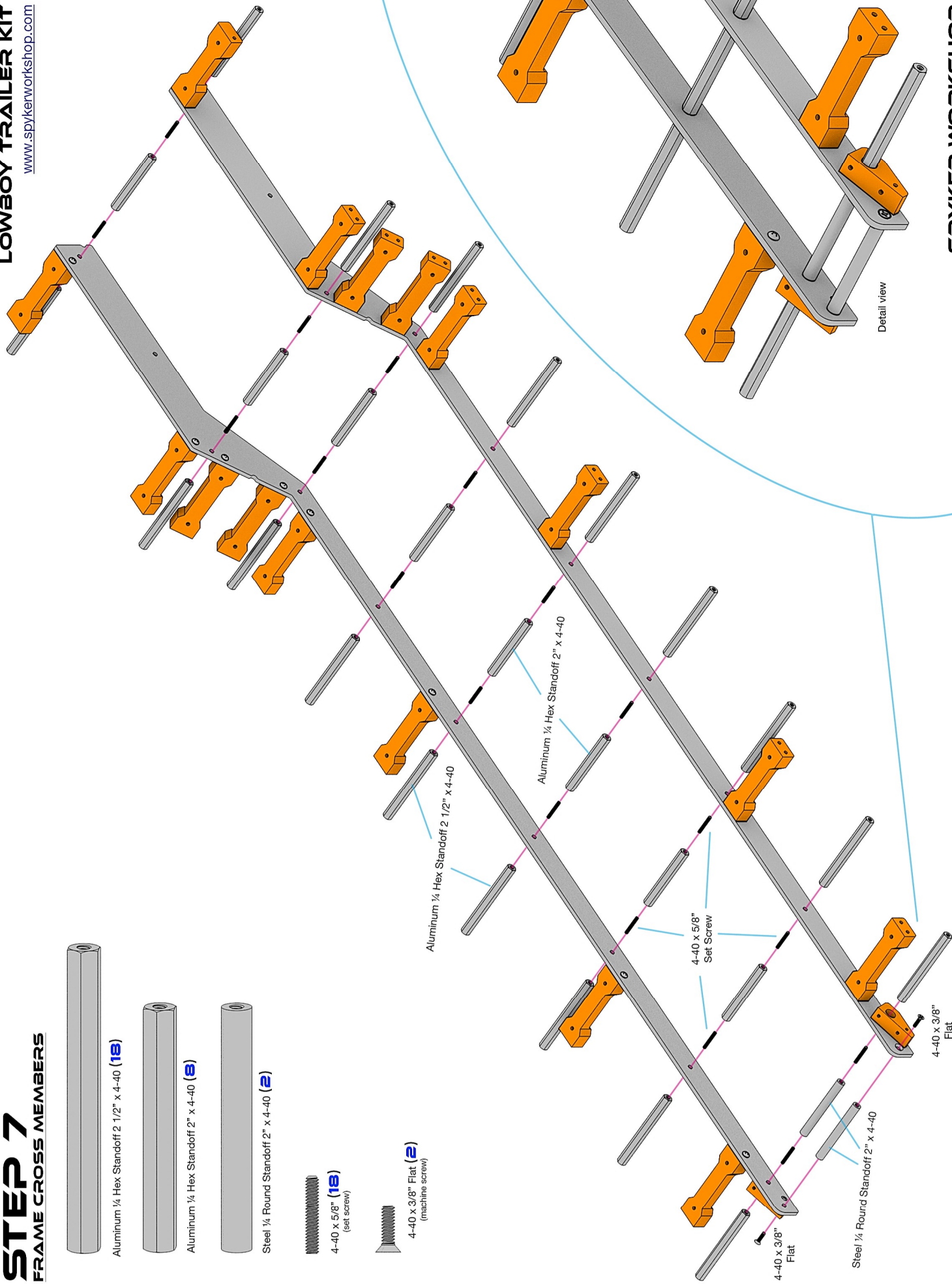
Aluminum 1/4 Hex Standoff 2" x 4-40

4-40 x 5/8" Set Screw

4-40 x 3/8" Flat

Steel 1/4 Round Standoff 2" x 4-40

4-40 x 3/8" Flat



Detail view

SPYKER WORKSHOP

STEP 8

FRAME SIDES

LOWBOY TRAILER KIT
www.spykerworkshop.com



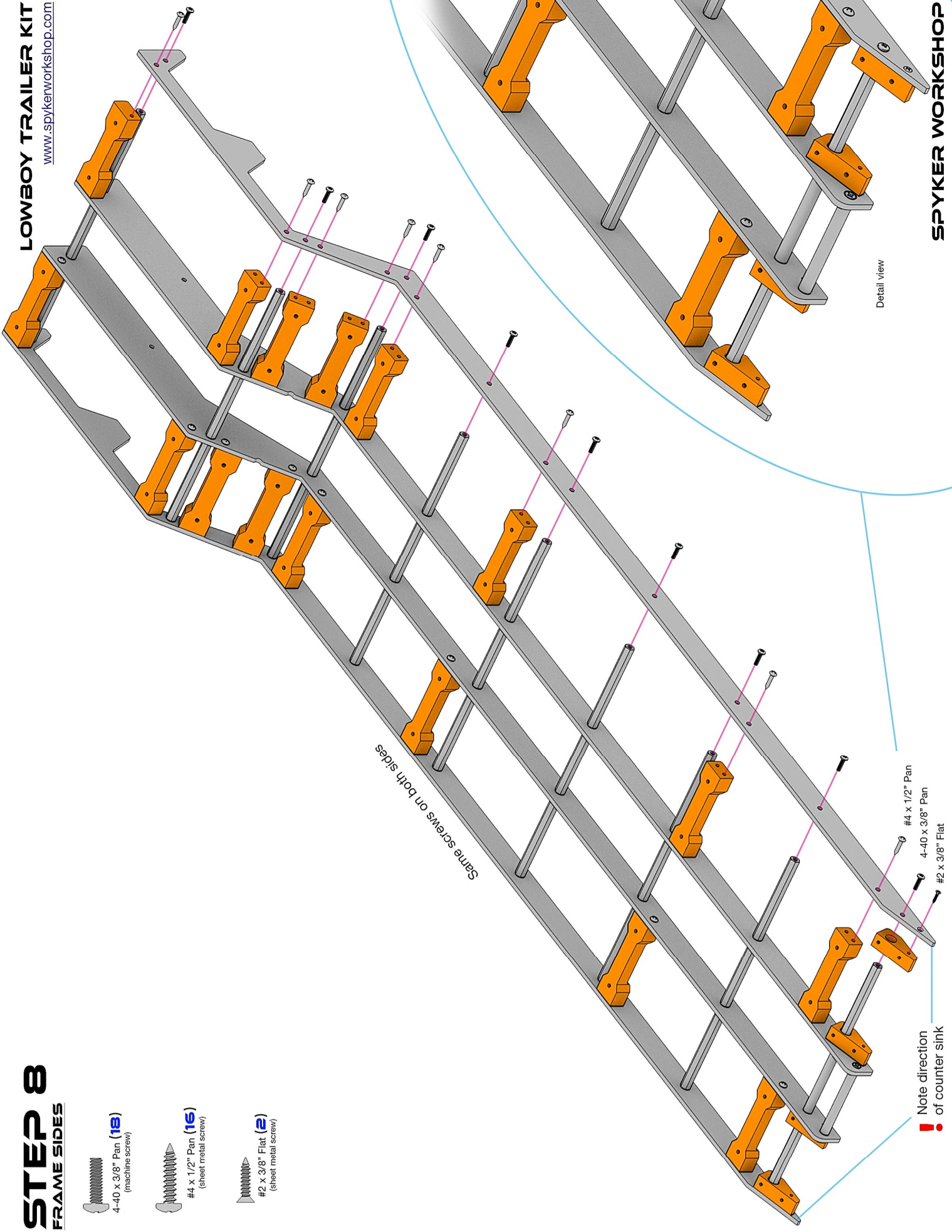
4-40 x 3/8" Pan (18)
(machine screw)



#4 x 1/2" Pan (16)
(sheet metal screw)



#2 x 3/8" Flat (2)
(sheet metal screw)



Same screws on both sides

Detail view

#4 x 1/2" Pan
4-40 x 3/8" Pan
#2 x 3/8" Flat

Note direction
of counter sink

SPYKER WORKSHOP

STEP 9

LOWBOY TRAILER KIT
www.spykerworkshop.com



#4 Washer (16)



#4 x 1/2" Pan (16)
(sheet metal screw)



#2 x 3/8" Flat (8)
(sheet metal screw)

#4 x 1/2" Pan

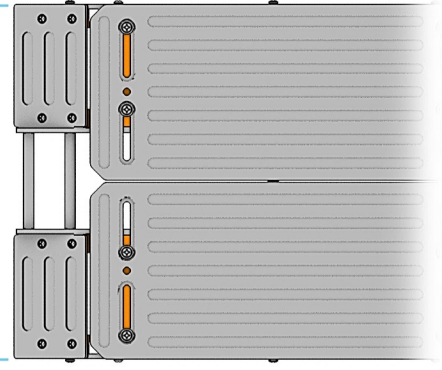
#4 Washer

#2 x 3/8" Flat

Deck width can be adjusted

7 5/8" (194mm)

9 1/2" (241mm)



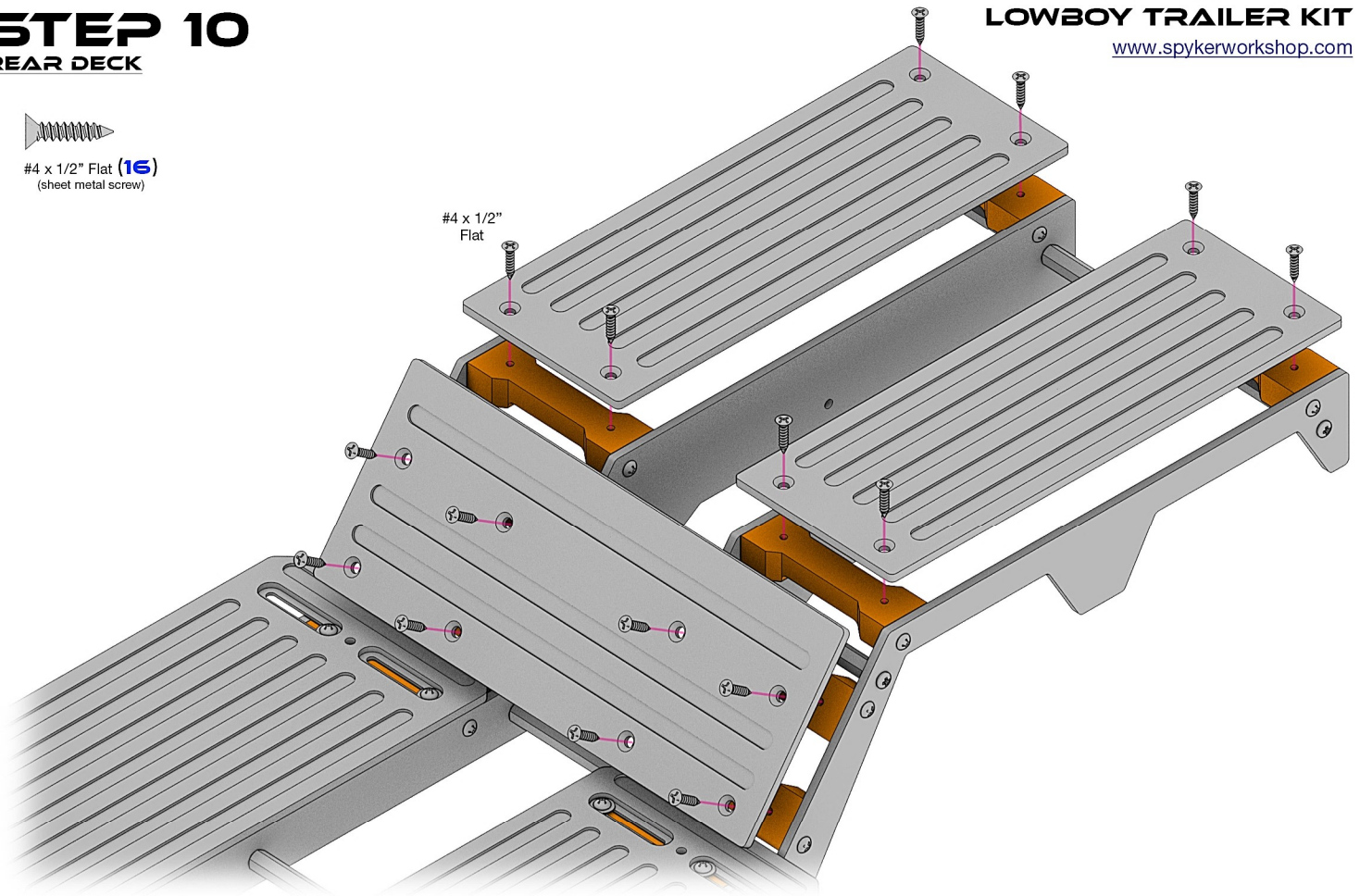
SPYKER WORKSHOP

STEP 10

REAR DECK



#4 x 1/2" Flat (16)
(sheet metal screw)



STEP 11

TAILLIGHT



#4 x 1/2" Pan (4)
(sheet metal screw)



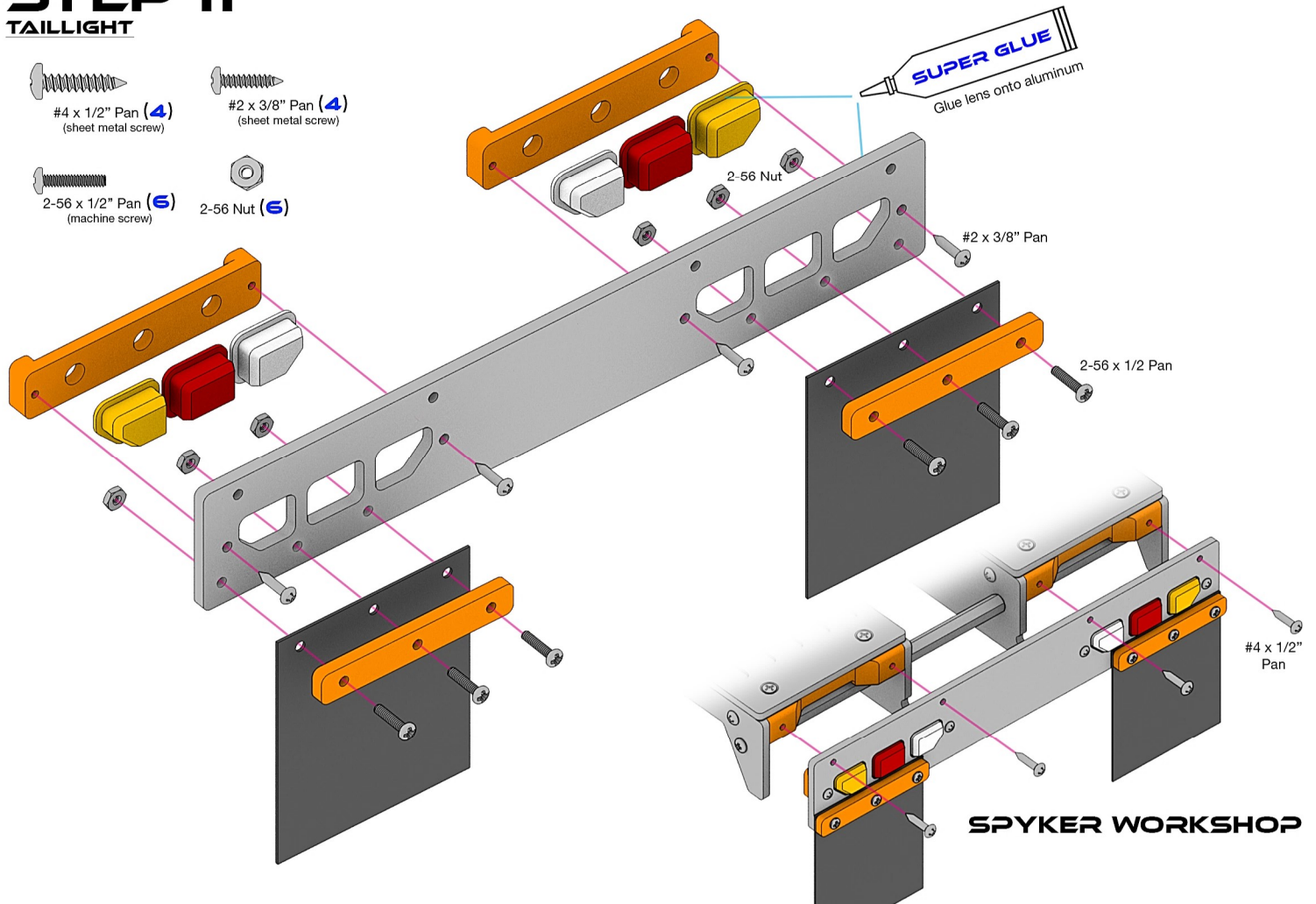
#2 x 3/8" Pan (4)
(sheet metal screw)



2-56 x 1/2" Pan (6)
(machine screw)



2-56 Nut (6)

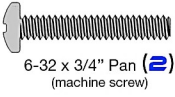


STEP 12

SWING ARMS



Steel 1/4 Hex Standoff 2" x 6-32 (1)



6-32 x 3/4" Pan (2)
 (machine screw)



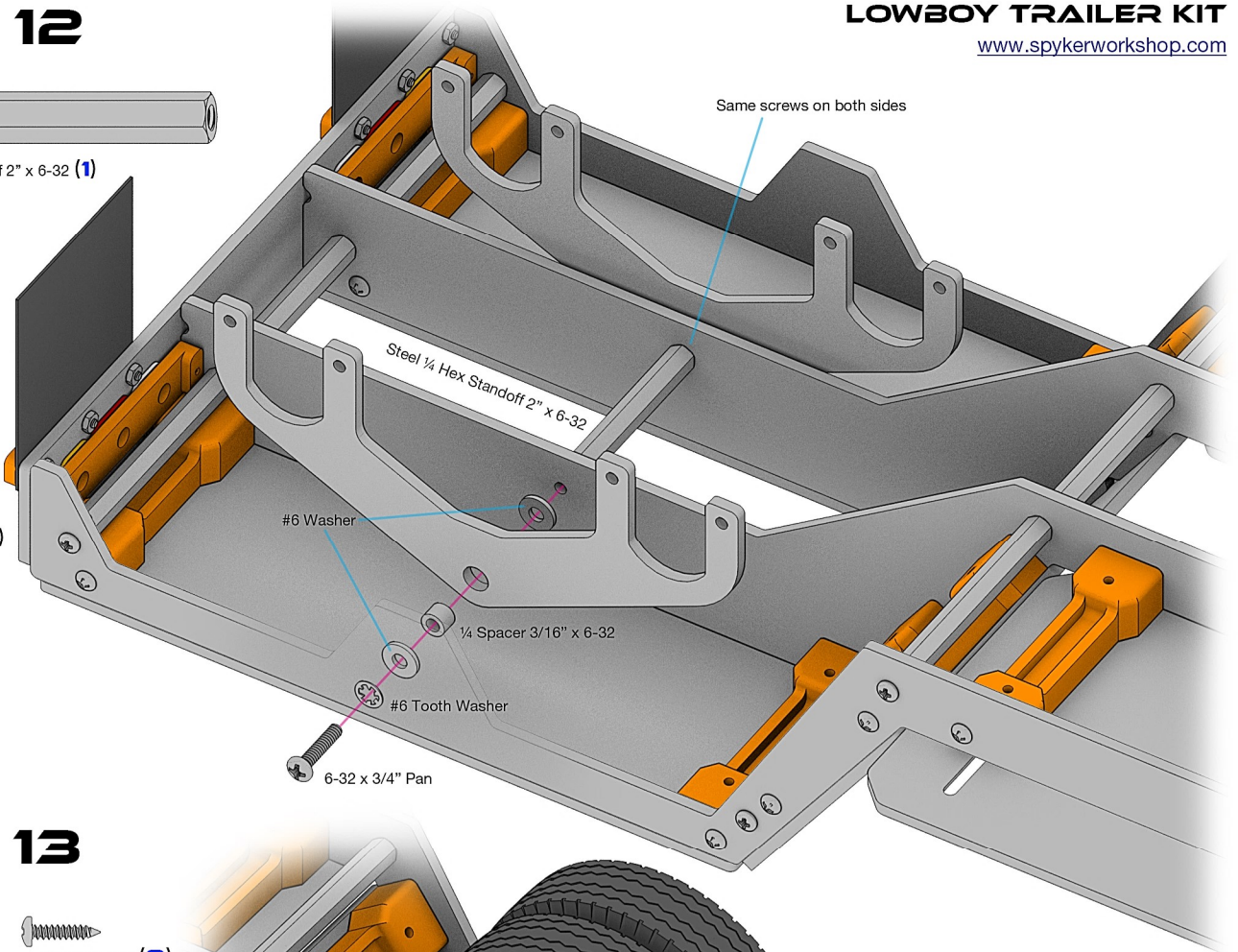
#6 Washer (4)



#6 Tooth Washer (2)

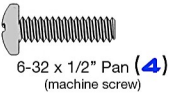


1/4 Spacer 3/16" x 6-32 (2)

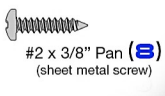


STEP 13

WHEELS



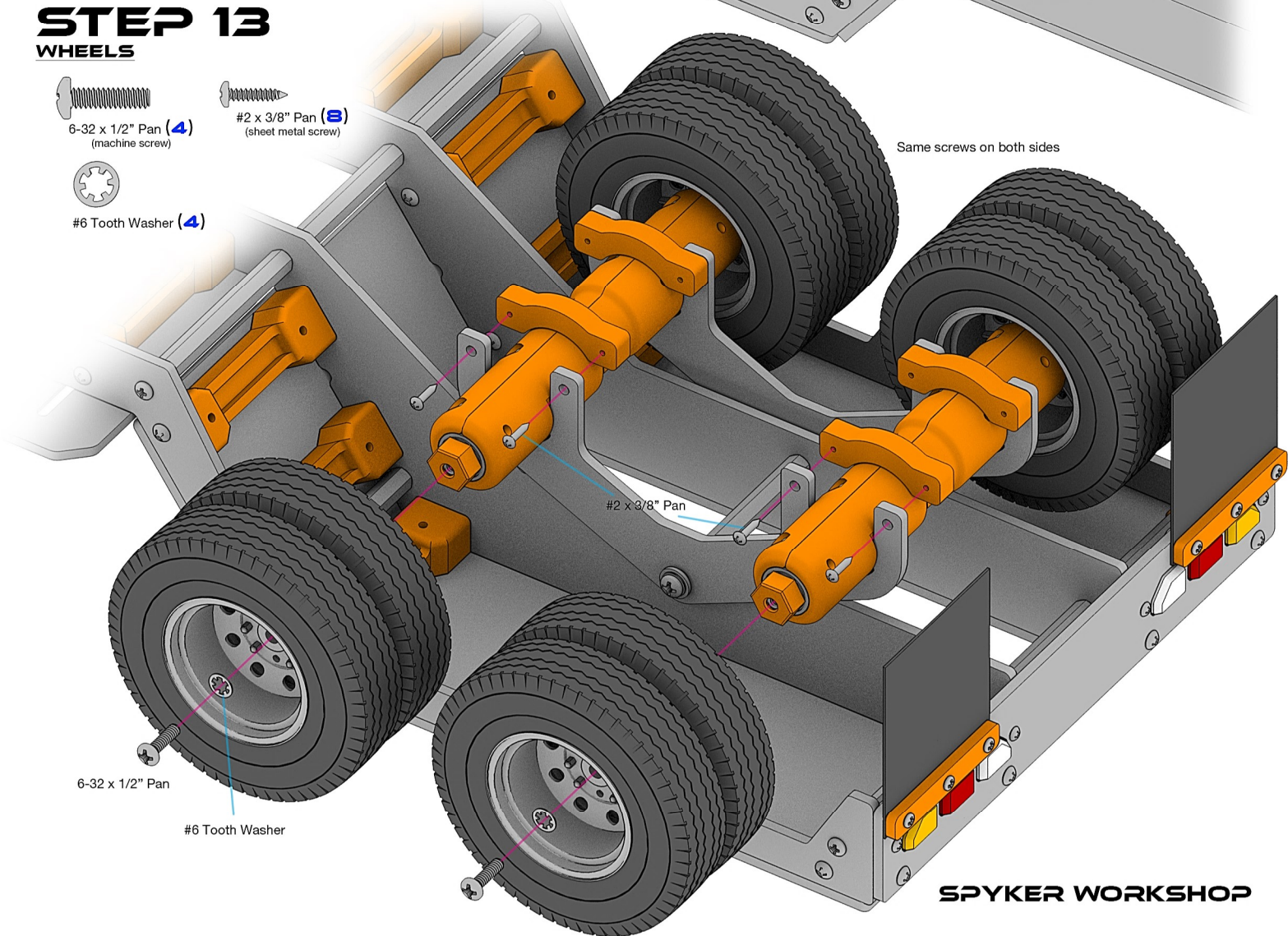
6-32 x 1/2" Pan (4)
 (machine screw)



#2 x 3/8" Pan (8)
 (sheet metal screw)



#6 Tooth Washer (4)



6-32 x 1/2" Pan

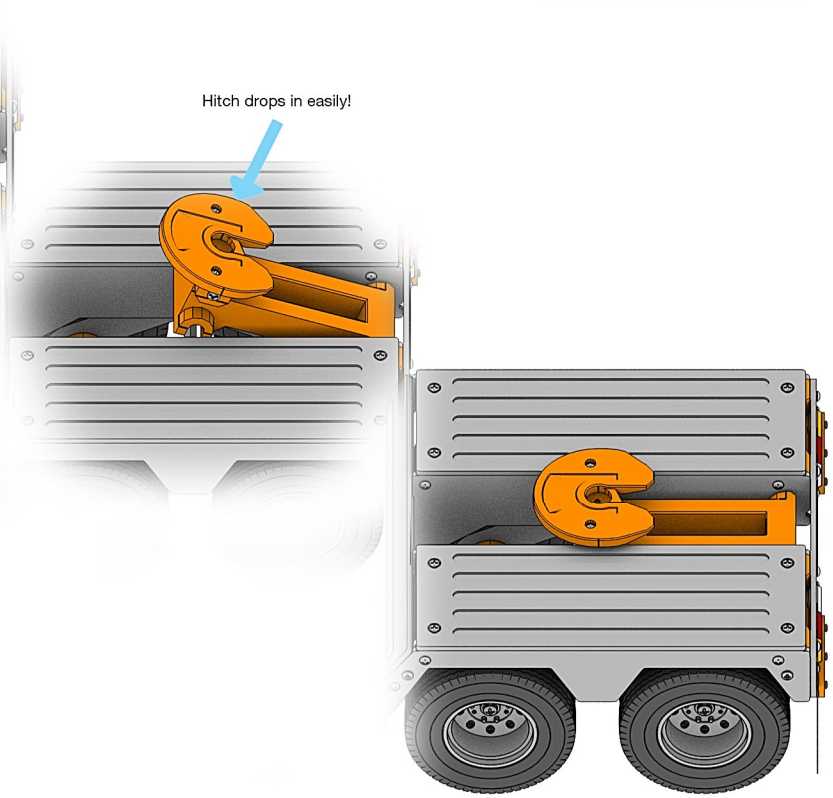
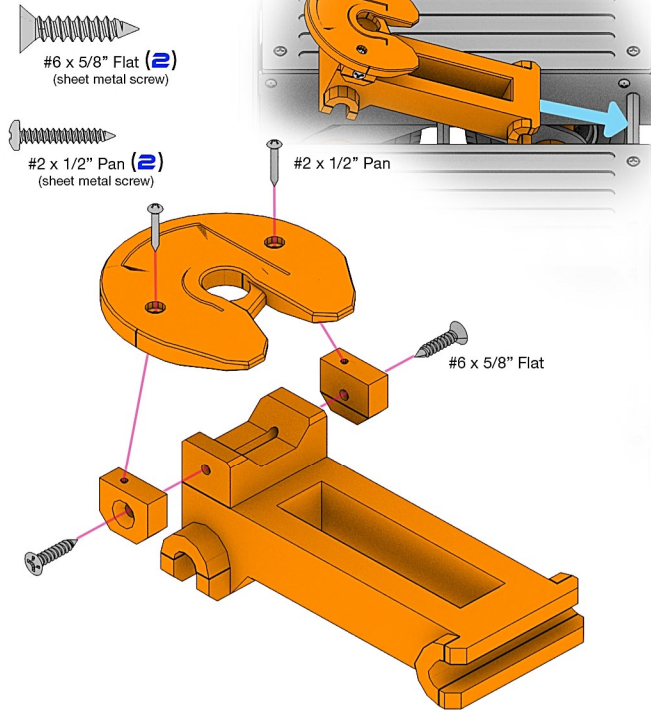
#6 Tooth Washer

#2 x 3/8" Pan

Same screws on both sides

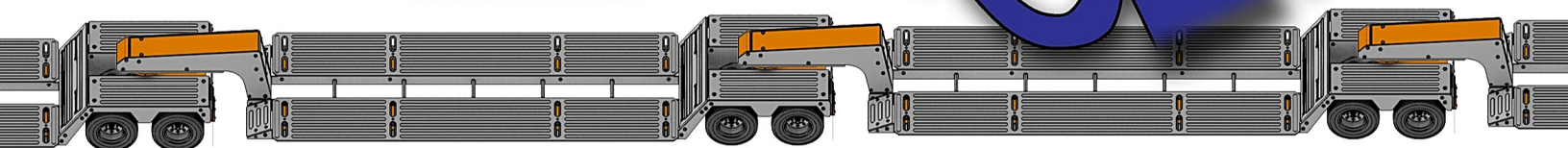
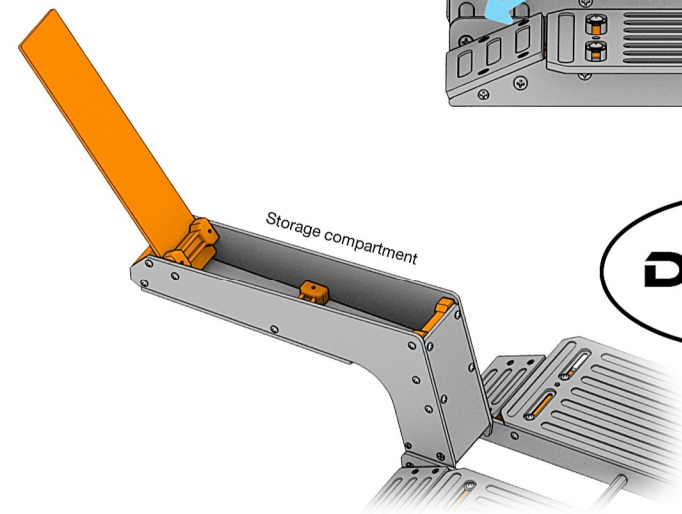
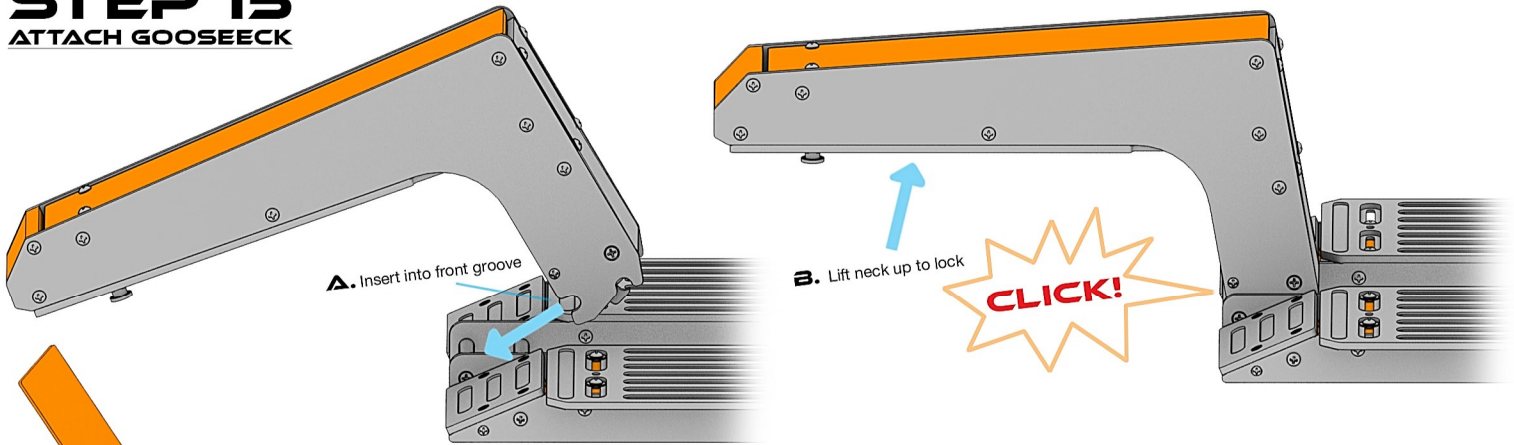
STEP 14

OPTIONAL HITCH



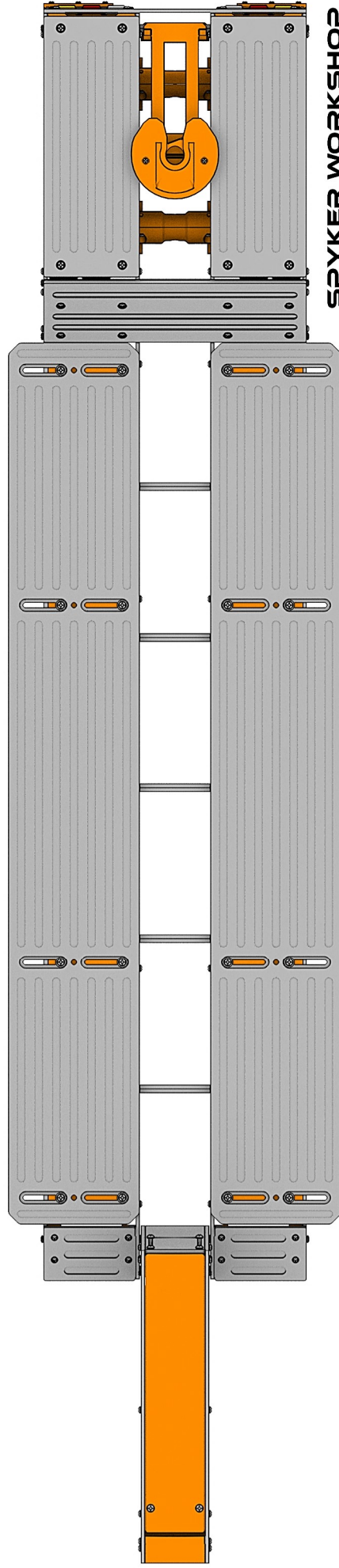
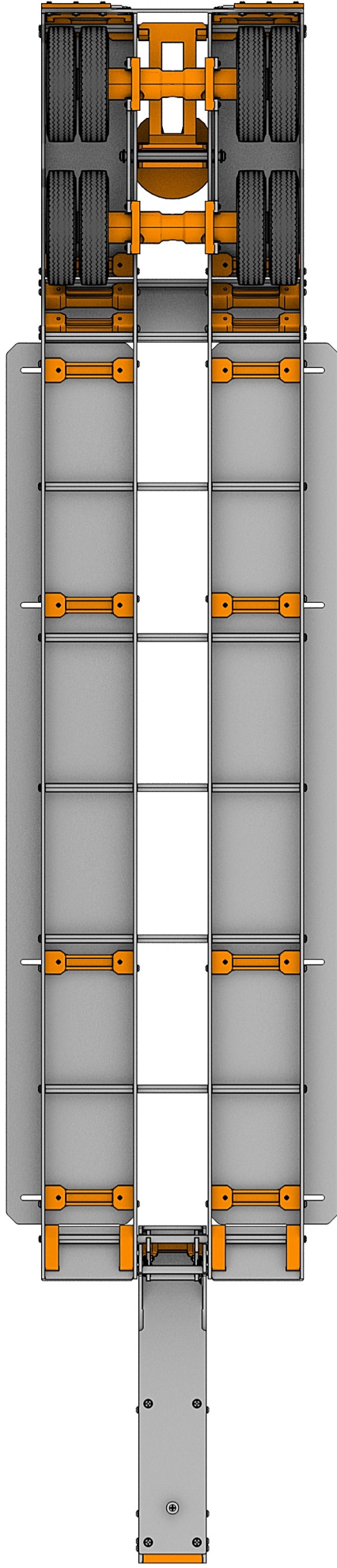
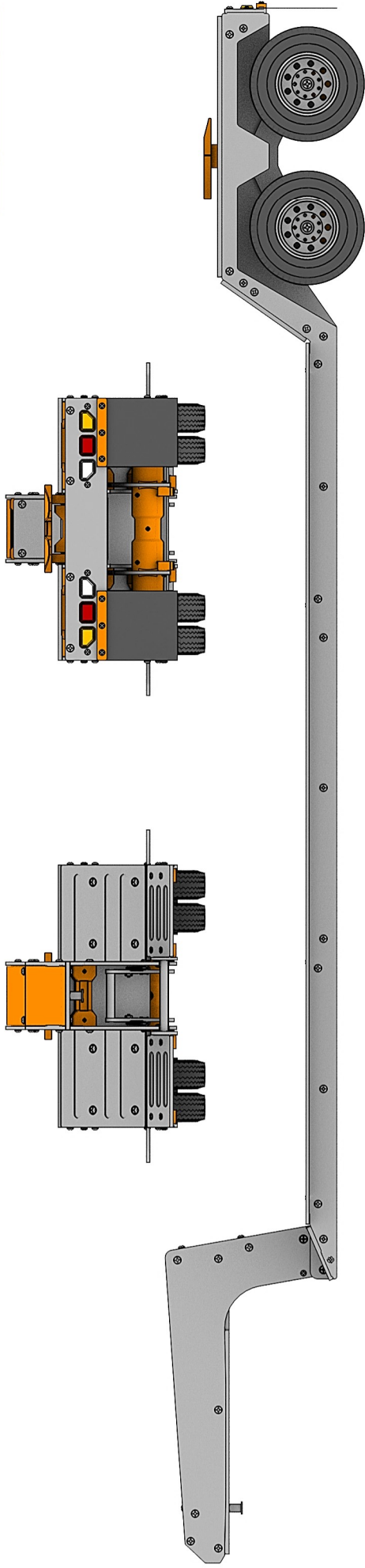
STEP 15

ATTACH GOOSENECK



1/14 LOWBOY TRAILER KIT

LOWBOY TRAILER KIT
www.spykerworkshop.com



SPYKER WORKSHOP